


PRODUCT SHEET

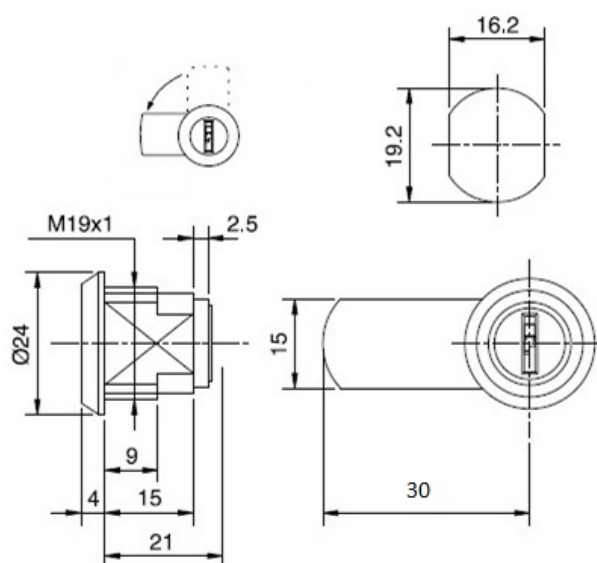
Description:

Cam Lock 0503, 90DG, CPL, MK:Ojmar, Str. Cam c/e:30mm, Max Panel Thickness 6mm

Item number:

14.04.512-0

| Units | Box | Carton | HS Code | Barcode |
|-------|-----|--------|------------|--|
| Pcs. | 1 | 50 | 8301300000 |  |
| | | | | 5704866042147 |



SISO A/S

Mileparken 11
DK-2740 Skovlunde
Denmark
VAT: 24786013

Phone +45 45 830 900

www.siso.dk
siso@siso.dk

Danske Bank
Nytorv Branch
Copenhagen
SWIFT: DABADKKK

Account no.
4180 3112 112936
IBAN Account
DK7230003112112936